

# SOMERSET®

Tel: 978.667.3355

800.772.4404

Fax: 978.671.9466

Email: somerset@smrset.com

[www.smrset.com](http://www.smrset.com)



## CDR-2100

## DOUGH ROLLER

### **IDEAL FOR PIZZA AS WELL AS:**

- Pita Bread
- Pie Crusts
- Roti
- Flour Tortillas
- Cookies
- Sheeting
- Sweet Doughs
- Calzones
- Cinnamon Rolls
- Pierogi
- Rolled In Dough

### **HIGHLIGHTS**

- Sheets 500-600pcs.  
per hour up to 20" (51cm)
- Ships standard with  
synthetic, non-stick rollers
- Ergonomic design makes it  
easy and simple to operate
- Sheets dough to a uniform  
thickness in seconds
- All stainless steel  
construction offers safety,  
sanitation, speed, simplicity,  
durability, and low cost



**The veteran of side operated compact  
dough rollers. Sheets up to 20" (51cm)  
in diameter in seconds.**

SOMERSET INDUSTRIES, INC • 1 ESQUIRE ROAD • NORTH BILLERICA, MA 01862 • U.S.A.

CDR-2100 SYNTHETIC ROLLERS

CDR-2100M METALLIC ROLLERS

### FEATURES

- The most advanced **SIDE OPERATED** compact sheeter
- Spring loaded scrapers readily removable for easy cleaning
- Compact design, ideal for use in limited space
- Safety sensors for automatic shutoff
- Ergonomic design for easy operation
- Convenient side operation
- Large hopper accepts large pieces of dough
- Maintenance free drive mechanism
- Drive mechanism isolated from roller area
- Safe, simple, easy to operate, easy to clean
- Sanitary, heavy duty, all stainless steel welded construction
- Simple handle adjustments for exact uniform dough thickness
- Thickness stops available

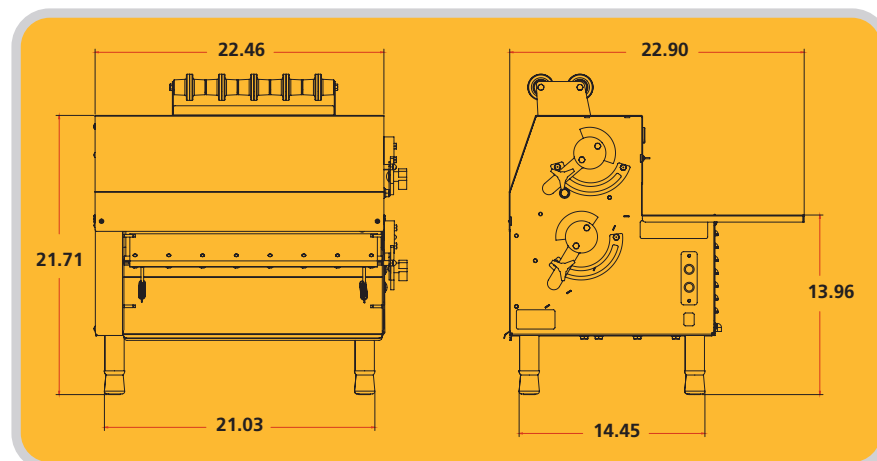


### INDUSTRY USES:

- Pizzerias
- Restaurants
- Institutions
- Schools
- Mexican establishments
- Other ethnic food production
- Indian Establishments
- Cafes
- Bakeries

### SPECIFICATIONS PATENT PENDING

(Specifications subject to change without notice)



**Rollers:** 3.5" dia. by 20" length  
(8.89 cm dia. by 50.80 cm length)

**Scrapers:** Synthetic, Spring Loaded, Removable

**Bearings:** Sealed Ball Bearings, Permanently Lubricated

**Gear Motor:** Heavy Duty 3/4 HP, Maintenance Free, Single Phase, 115V/60Hz or 220V/50Hz

**Finishing:** All Stainless Steel

**Legs:** 4" Adjustable, Stainless Steel

**Shipping Weight:** 210 lbs (95kgr)



APPROVED