

PACKAGING**Berkel****450A/550A**
VACUUM PACKAGE MACHINES

Model 550A

**FEATURES**

Berkel Models 450A and 550A are reliable floor model vacuum package machines designed to meet most high-volume foodservice portion control, product storage and food retail needs. The units offer a spacious stainless steel chamber, powerful, high quality pump and two seal bars that provide a high integrity double seal with electric cut-off. Both models offer an anaerobic gas flush to maintain product color in the vacuum package, extend shelf life and/or to provide a pillow-pack seal to protect the product. Units are simple to operate and maintain.

- 450A** Single chamber, two 19" seal bars
- 550A** Single chamber, two 25" seal bars

STANDARD FEATURES

- 450A floor model with a stainless steel housing and single 20" (508 mm) x 27½" (699 mm) x 9½" (241 mm) chamber; 550A floor model with a stainless steel housing and single 28" (711 mm) x 28" (711 mm) x 8" (203 mm) chamber.
- Model 450A includes two 19" (483 mm) seal bar; Model 550A includes two 25" (635 mm) seal bars; provide high integrity double sealing with electric cut-off.
- Powerful, high quality 63 m³/h (450A) or 100 m³/h (550A) Busch pump and vacuum dial gauge.
- 1-speed, 3 H.P. (450A), 5 H.P. (550A) motor, totally enclosed, permanently lubricated ball bearings, thermally protected.
- Furnished in 220/60/3, 9.5 amp (450A), 14.5 amp (550A), AC, ETL listed.
- Vacuum intervals of 1 to 99 seconds.
- Gas flush for the addition of an anaerobic gas mixture and/or pillow-pack seal.
- Simple to operate electronic, touch pad controls with 25 storable programs.

ACCESSORIES

- Air assist
- Soft air
- 12" Chamber (550A)

Berkel a division of ITW Food Equipment Group LLC

P.O. Box 696 ■ Louisville, KY 40201 ■ Toll-free: 1-800-814-2028 ■ Local: 502-778-2791 ■ Quote & Order Fax: 1-800-444-0602



450A/550A VACUUM PACKAGE MACHINES

SPECIFICATIONS

Finish/Construction: Floor models with stainless steel housing and single chamber.

Pump: Powerful, high quality 63 m³/h (450A) or 100 m³/h (550A) Busch pump and vacuum dial gauge.

Electrical: Furnished in 220/60/3, 9.5 amp (450A) or 14.5 amp (550A), AC, ETL listed.

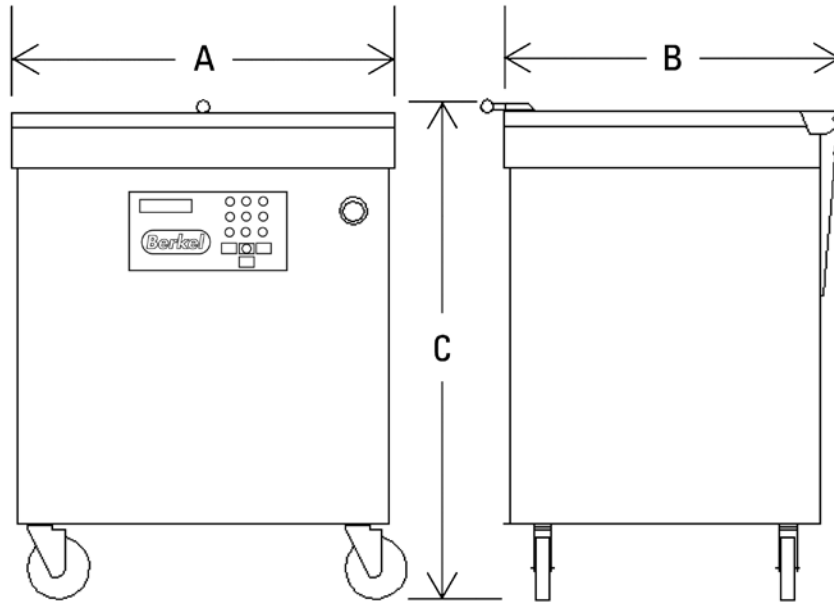
Vacuum Chamber: Model 450A includes a single, stainless steel 20" (508 mm) x 27½" (699 mm) x 9½" (241 mm) chamber. Model 550A includes a single, stainless steel 28" (711 mm) x 28" (711 mm) x 8" (203 mm) chamber. Vacuum intervals of 1 to 99 seconds.

Seal Bar(s): Model 450A includes two 19" (483 mm) seal bars; Model 550 includes two 25" (635 mm) seal bars; provide high integrity double sealing with electric cut-off.

Gas Flush: Provides for the addition of an anaerobic gas mixture and/or pillow-pack seal.

Controls: Simple to operate electronic, touch pad controls.

Warranty: All parts, service and travel coverage for one year, excluding wear items.



MODEL NUMBER	CHAMBER SIZE			SEAL BAR	SEAL BAR LENGTH	PRODUCT DIMENSIONS		
	WIDTH	DEPTH	HEIGHT			WIDTH A	DEPTH B	HEIGHT C
450A	20" (508 mm)	27½" (699 mm)	9½" (241 mm)	2	19" (483 mm)	30½" (775 mm)	32" (813 mm)	44" (1118 mm)
550A	28" (711 mm)	28" (711 mm)	8" (203 mm)	2	25" (635 mm)	31" (787 mm)	36" (914 mm)	47" (1194 mm)

MODEL NUMBER	PUMP m ³ /h	ELECTRICAL	WEIGHT	BOX DIMENSIONS		
				WIDTH	DEPTH	HEIGHT
450A	63	220/60/3	Net 410 lbs. (185 kg) Ship 482 lbs. (217 kg)	40" (1016 mm)	35" (889 mm)	46" (1168 mm)
550A	100	220/60/3	Net 510 lbs. (231 kg) Ship 585 lbs. (263 kg)	41" (1041 mm)	39" (991 mm)	50" (1270 mm)



P.O. Box 696 ■ Louisville, KY 40201 ■ Toll-free: 1-800-814-2028 ■ Local: 502-778-2791 ■ Quote & Order Fax: 1-800-444-0602