



TAYLOR® COMPANY
a Specialty Equipment company

Item No. _____

339

Soft Serve Freezer

Twin Twist

Features

Offer all the popular soft serve variations from low or non-fat ice creams to custards, yogurt and sorbet. Serve two separate soft serve flavors, or an equal combination of both in a twist.

Freezing Cylinder

Two, 2.8 quart (2.7 liter).

Mix Hopper

Two, 20 quart (18.9 liter). Separate hopper refrigeration (SHR) maintains mix below 41°F (5°C) in Auto and Standby modes.

Indicator Lights

Mix Low light alerts the operator to add mix.

Electronic Controls

Finished product quality is monitored by Softech™ controls that measure viscosity.

Standby

During long no-use periods, the standby feature maintains safe product temperatures in the mix hopper and freezing cylinder.



Standard 6



SA2650



Selected 50
Hz. Models

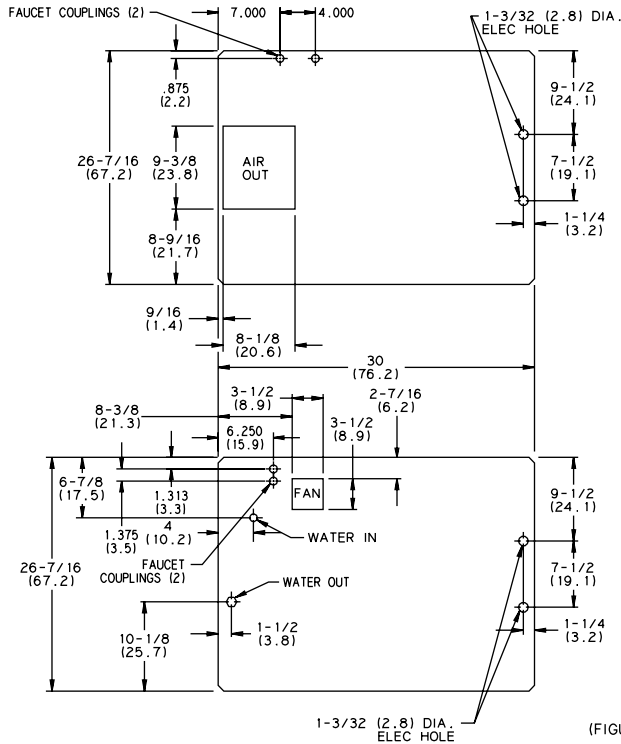
Rockton, Illinois 61072
800-255-0626
Phone 815-624-8333 Fax 815-624-8000
www.taylor-company.com
e-mail: info@taylor-company.com

International Office
Taylor Company S.r.l.
Roma, Italy
Tel: +39-06-420-12002 Fax: +39-06-420-12034
e-mail: romeoff@taylor-company.com

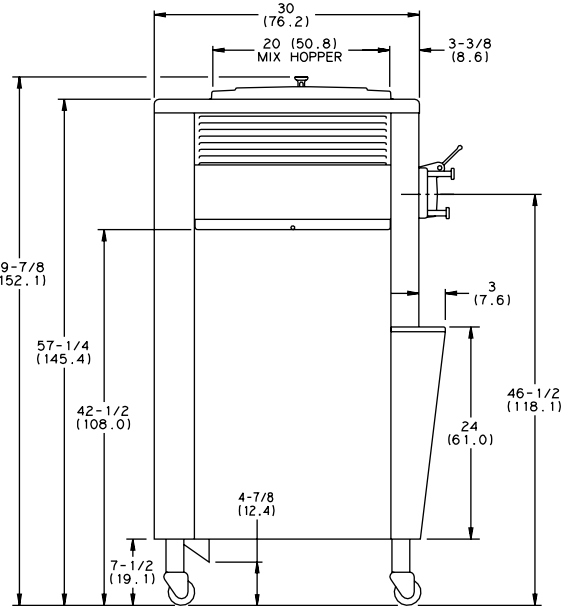


Taylor Company

339 Soft Serve Freezer



AIR COOLED
TOP VIEW BASE - OPERATOR END
WATER COOLED



(FIGURES IN PARENTHESES INDICATE CENTIMETERS)

Weights	lbs.	kgs.
Net	608	275.8
Crated	698	316.6
Volume	cu. ft.	cu. m.
Volume	48.1	1.3

Dimensions	in.	mm.
Width	26-7/16	672
Depth	33	838
Height	59-7/8	1521
Floor Clearance	7-1/2	191

*Mounted on standard casters

Electrical	Maximum Fuse Size		Minimum Circuit Ampacity		Poles (P) Wires (W)
	Left	Right	Left	Right	
208-230/60/1 Air	25	20	21	16	2P 3W
208-230/60/1 Water	25	20	18	16	2P 3W
208-230/60/3 Air	20	15	15	11	3P 4W
208-230/60/3 Water	15	15	13	11	3P 4W
220-240/50/1 Air	20	15	16	12	2P 3W
220-240/380-415/50/3 Air	10	5.6	9	5	4P 5W

This unit may be manufactured in other electrical characteristics. Refer to the local Taylor Distributor for availability. (For exact electrical information, always refer to the data label of the unit.)

Bidding Specs

Electrical: Volt _____ Hz _____ ph _____
Neutral: Yes No Cooling: Air Water NA

Options: _____

Specifications

Electrical

Two dedicated electrical connections are required. See the Electrical chart for the proper electrical requirements. Manufactured to be permanently connected. Consult your local Taylor distributor for cord & receptacle specifications as local codes allow.

Beater Motor

Two, 1.0 HP

Refrigeration System

Two, 6,000 BTU/hr. R404A.
Separate Hopper Refrigeration (SHR), One, 400 BTU/hr. R134a. (BTUs may vary depending on compressor used.)

Air Cooled

Minimum 3" (7.6 cm) around all sides. Install the deflector to prevent recirculation of warm air. Minimum air clearances must be met to assure adequate air flow for optimum performance.

Water Cooled

Water inlet and drain connections under side of base 1/2" FPT.

Options

- Cone Dispenser
- Drain Kit with Funnel
- Draw Valve Lock Kit
- Faucet
- Mix Low Chime
- Panel Spinner
- Self Service Package (includes cone block, hopper locks, mix low chime, self service decal & flavor pads, and sneeze guard)
- Syrup Rail Kit (side mount)

Continuing research results in steady improvements; therefore, these specifications are subject to change without notice.