

SANDWICH/SALAD UNITS

COLD AIR COMPARTMENT SYSTEM



≡ FEATURES & BENEFITS ≡

■ COLD AIR COMPARTMENT

Our innovative "Cold Air Compartment" maintains temperature evenly for each pan to preserve fresh food longer. In addition, the compartment isolates pans from the reach-in area to prevent food spillage.

■ STAINLESS STEEL CABINET CONSTRUCTION

The Turbo Air M3 model boasts a stainless steel exterior (galvanized steel back and bottom). Interior is stainless steel floor with AL sides and back. It guarantees the utmost in cleanliness and long product life. It can add a touch of style to the most refined setting.

■ CONVENIENT CUTTING BOARD SIDE RAIL

Our cutting board is 9 1/2" deep and 1/2" thick to provide ample working space, and is made of easy to use and sanitize LDPE (Low Density Polyethylene). The new side rail cutting board bracket makes it easy to secure and remove the cutting board and it accepts different sizes too (max. 1/2" thickness)

■ HOT GAS CONDENSATE SYSTEM

Through Turbo Air's creative innovation, the condensate system surfaces have been specially treated to resist corrosion. This not only increases efficiency without the risk of refrigerant leakage from corrosion, but also prevents the overflow of condensate water.

■ EFFICIENT REFRIGERATION SYSTEM

The Turbo Air M3 model boasts a stainless steel exterior (galvanized steel back and bottom). Interior is stainless steel floor with AL sides and back. It guarantees the utmost in cleanliness and long product life. It can add a touch of style to the most refined setting.

■ HIGH-DENSITY POLYURETHANE INSULATION

The entire cabinet structure and solid doors are foamed-in-place using high density, CFC free polyurethane insulation.

■ MAGNETIC DOOR GASKETS

Magnetic door gaskets are of one piece construction, removable without tools for ease of cleaning and replacement.

■ ADJUSTABLE, HEAVY DUTY, PE (POLYETHYLENE) COATED WIRE SHELVES

■ ERGONOMICALLY DESIGNED DOORS

Customers' fatigue fades away with easy grip handles and doors that open effortlessly. These features along with self-closing doors make this the ultimate choice in customer convenience. ABS sheet door liners resist water condensation with thermal efficiency.

■ REFRIGERATOR HOLDS 33°F ~ 39°F FOR THE BEST IN FOOD PRESERVATION

Model	Swing Door	CU./FT.	#of Shelves	#of Pans	#of Hood	HP	AMPS	Crated Weight (lbs.)	L x D* x H† (inches)
MST-28	1	7	1	8	1	1/5	3.3	198	27 1/2 x 30 x 37
MST-36	2	9.5	2	10	1	1/4	6.6	220	36 1/4 x 30 x 37
MST-48	2	12	2	12	1	1/3	6.5	242	48 1/4 x 30 x 37
MST-60	2	16	2	16	1	1/2	8.9	330	60 1/4 x 30 x 37
MST-72	3	19	3	18	2	1/2	9.9	374	72 5/8 x 30 x 37

* Depth does not include 1" for rear spacers. † Height does not include 5-7/8" for caster height.

MST MODELS SPECIFICATIONS

ELECTRICAL DATA	MST-28	MST-36	MST-48	MST-60	MST-72
Voltage	115/60/1	115/60/1	115/60/1	115/60/1	115/60/1
Plug Type	Ⓢ NEMA-5-15P	Ⓢ NEMA-5-15P	Ⓢ NEMA-5-15P	Ⓢ NEMA-5-15P	Ⓢ NEMA-5-15P
Full Load Amperes	3.3	6.6	6.5	8.9	9.9
Compressor HP	1/5	1/4	1/3	1/2	1/2
Cord Length ft.	9	9	9	9	9
Refrigerant	R-134A	R-134A	R-134A	R-134A	R-134A
DIMENSIONAL DATA					
Ext. Length Overall in.	27 1/2 (698mm)	36 1/4 (921mm)	48 1/4 (1226mm)	60 1/4 (1530mm)	72 5/8 (1844mm)
Ext. Depth Overall in.*	30 (762mm)	30 (762mm)	30 (762mm)	30 (762mm)	30 (762mm)
Ext. Height Overall in.†	37 (940mm)	37 (940mm)	37 (940mm)	37 (940mm)	37 (940mm)
# of Doors	1	2	2	2	3
# of Shelves	1	2	2	2	3
# of Pans	8	10	12	16	18
Net Capacity cu. ft.	7	9.5	12	16	19
Gross Weight lbs.	198	220	242	330	374
Net Weight lbs.	181	205	225	308	325

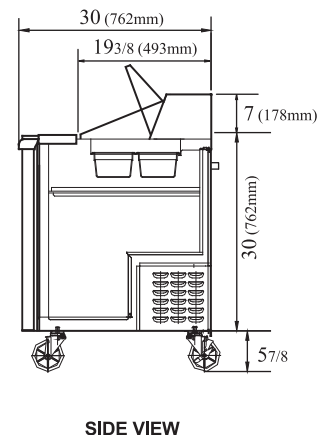
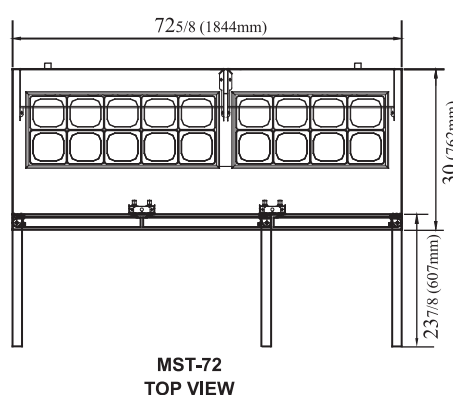
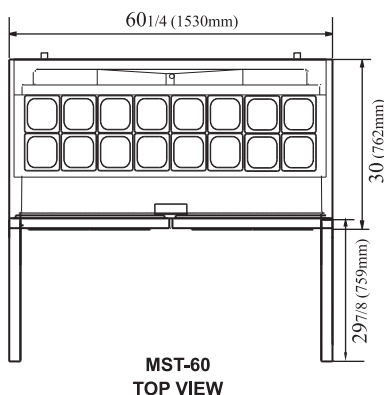
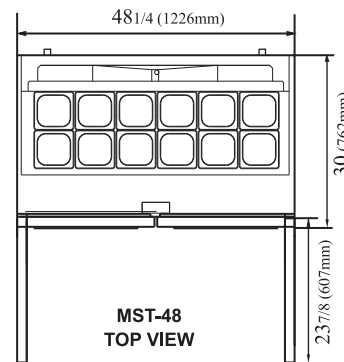
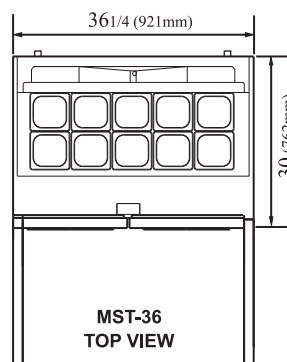
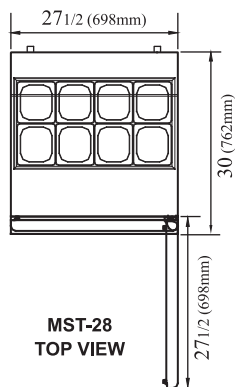
Design and specifications subject to change without notice.

Actual shipping weight may differ due to extra packing materials for product protection.

* Depth does not include 1" for rear spacers. † Height does not include 5-7/8" for caster height.

■ **WARRANTY : 1 Year Parts and Labor Warranty**
Additional 4 Year Warranty on Compressor

- SELF-CONTAINED SYSTEM
- 4" DIA. SWIVEL CASTERS
- STANDARD 1/6 SIZE, 4" DEEP CONDIMENT PANS INCLUDED
- 9 1/2" DEEP, 1/2" THICK CUTTING BOARD INCLUDED
- 2.5" DIA. CASTERS AVAILABLE (OPTIONAL)
- LEGS AVAILABLE FOR ALL MODELS (OPTIONAL)



(unit : inch)

PLAN VIEW